

AXOR Carlton

2-handle basin mixer 130 with pop-up waste set, swivel spout and copper pipes

Surfaces: **Chrome** Article Number: **17030000**



Description

product features

- consists of: 2-handle basin mixer, waste set
- ComfortZone 130
- projection 133 mm
- normal spray
- flow rate at 3 bar: 5 l/min
- ceramic valves hot/ cold 180°
- suitable for continuous flow water heaters
- pop-up waste set G 1¼
- connection dimension: DN15
- P-IX 2841/IA
- ACS 14 ACC NY 363, valide jusqu'au 30.10.2019
- WRAS 1409308
- WRAS 1910700
- JWWA C-501
- KCW-2018-0161_WTM
- Kiwa K6110_Mechanical Mixers EN200
- SINTEF 1422

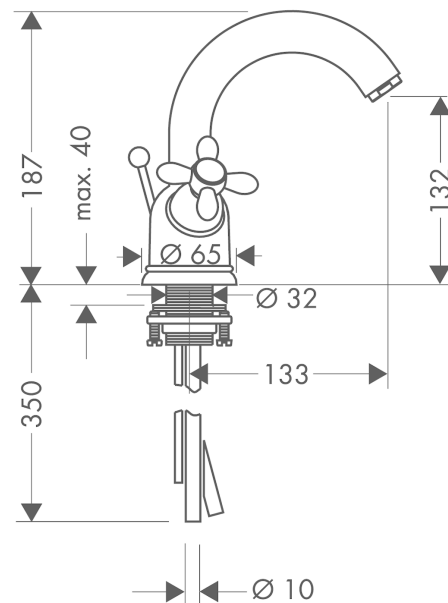
Technology



Product image



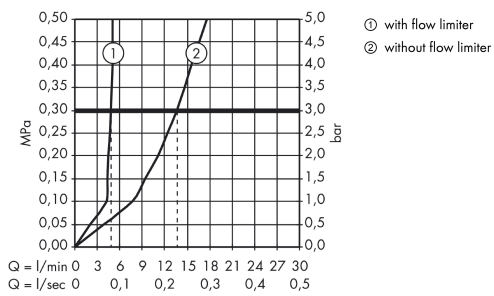
Scale drawing



AXOR Carlton
2-handle basin mixer 130 with pop-up waste set, swivel spout and copper pipes
 Surfaces: **Chrome** Article Number: **17030000**



Flowchart

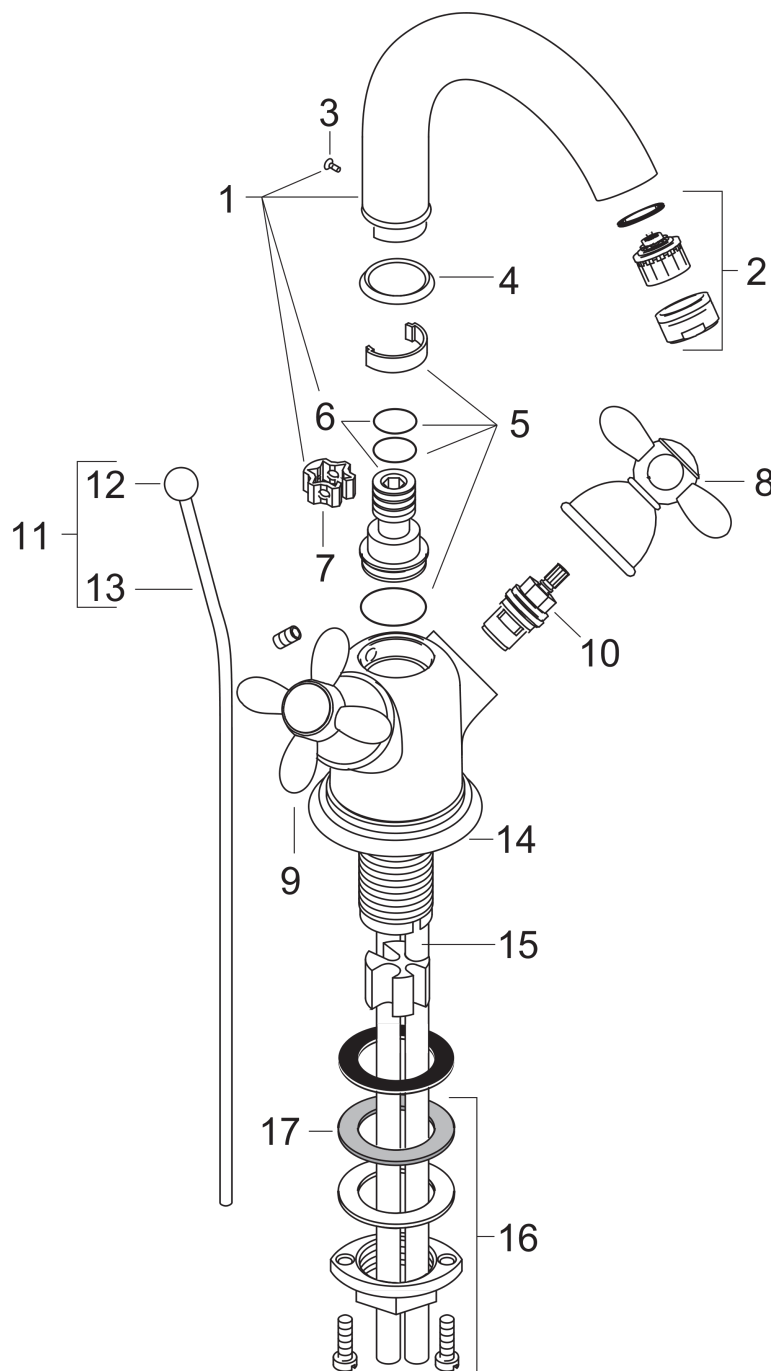


AXOR Carlton
2-handle basin mixer 130 with pop-up waste set, swivel spout and copper pipes
Surfaces: **Chrome** Article Number: **17030000**



Exploded Drawing

Year of production: >01/10



AXOR Carlton

2-handle basin mixer 130 with pop-up waste set, swivel spout and copper pipes

Surfaces: **Chrome** Article Number: **17030000**



Spare part list

Year of production: >01/10

Pos.	Description	Article Number	PC	PU
1	spout cpl.	96051000	15	1
2	aerator M24x1 (5 l/min)	13185000	98	1
3	screw	97662000	3	1
4	deco-ring	96211000	8	1
5	sealing set	92646000	6	1
6	O-Ring 14x2,5	98189000	1	1
7	axialring	97558000	1	1
8	handle for cold water	17291000	14	1
9	handle for hot water	17292000	14	1
10	shut off unit	94149000	8	1
11	pop up rod	92620000	8	1
12	diverter knob	94066000	3	1
13	pull rod	94067000	6	1
14	deco-ring	97957000	5	1
15	supply pipe	97760000	10	1
16	fixing set (Ø 32)	13961000	7	1
17	lever collar	97548000	1	1
a	pop up waste	94139000	98	1
b	fixation extension 35 mm	13898000	12	1
c	cover	13959000	11	1
d	aerator M24x1 (3,5 l/min)	92508000	9	1
e	aerator M24x1 (4,5 l/min)	92877000	6	1
f	aerator swivelling M24x1 (5 l/min)	95928000	8	1